

IPv6 Test Service Introduction



Hong Kong 香港科技園
Science & Technology Parks

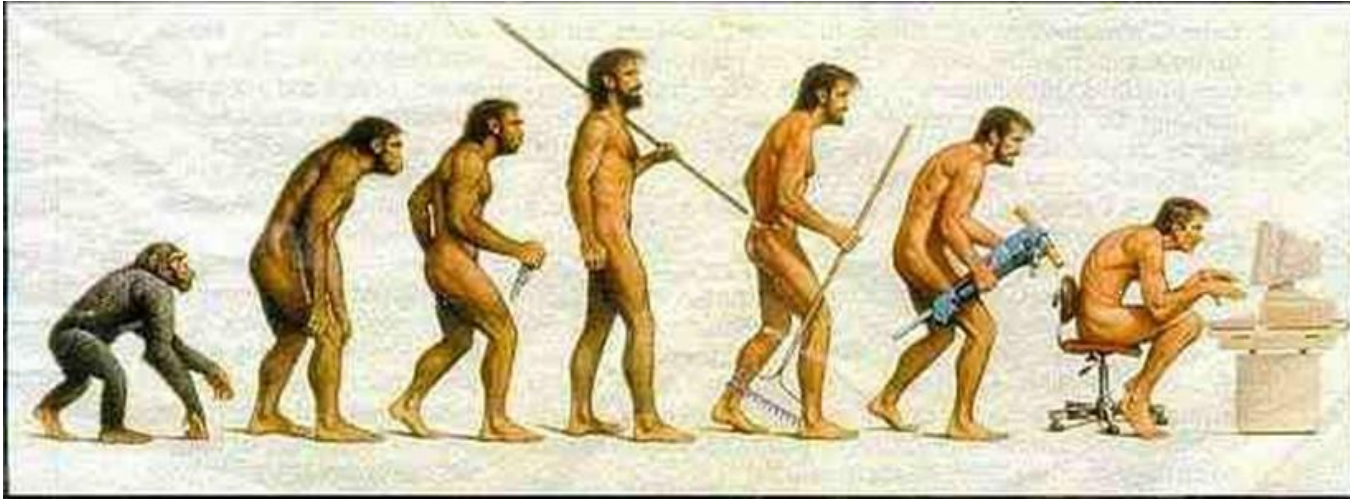
Making things happen

Thomas To
HKSTPC

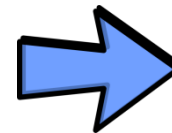
Sept 2013



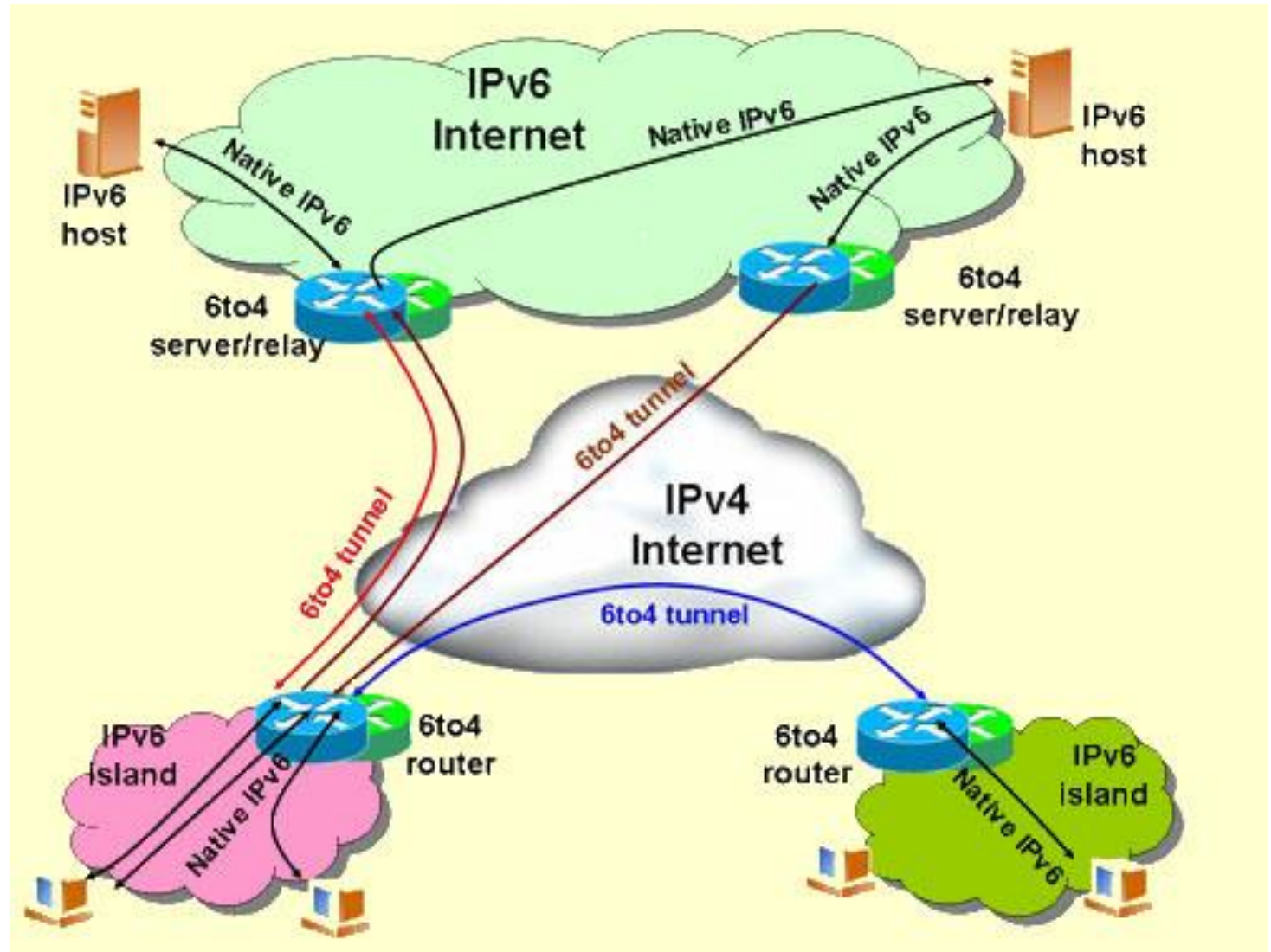
IPv6 Network Evolution



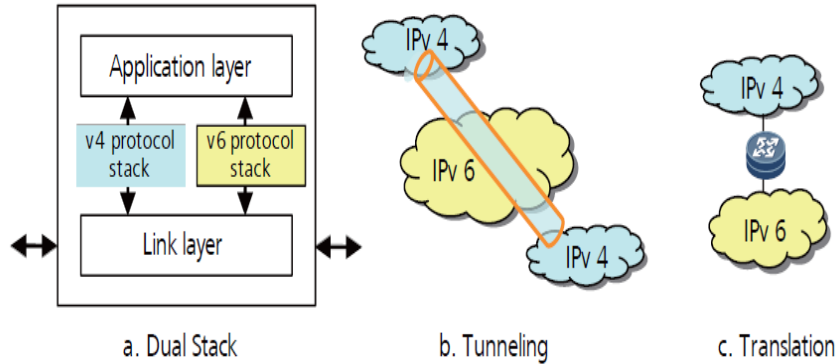
- Needs
- Motivations
- Driving Force
- Others.....



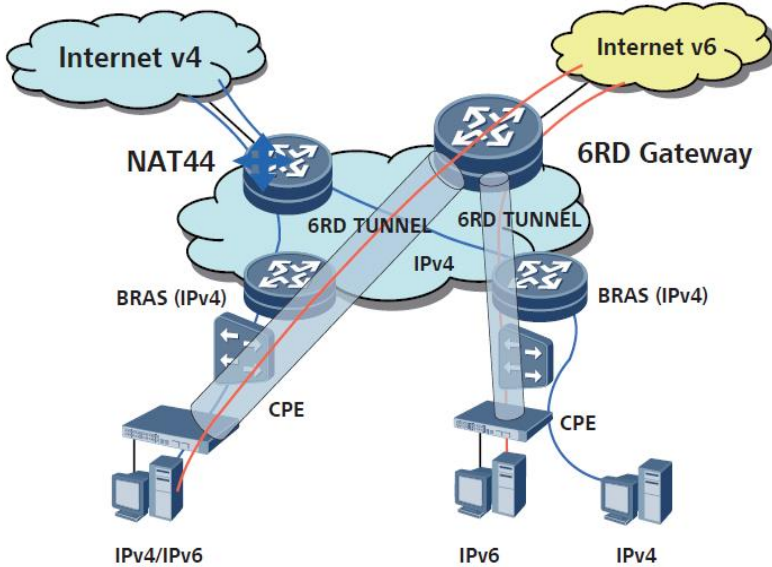
What it takes to go from an IPv4 to IPv6 network



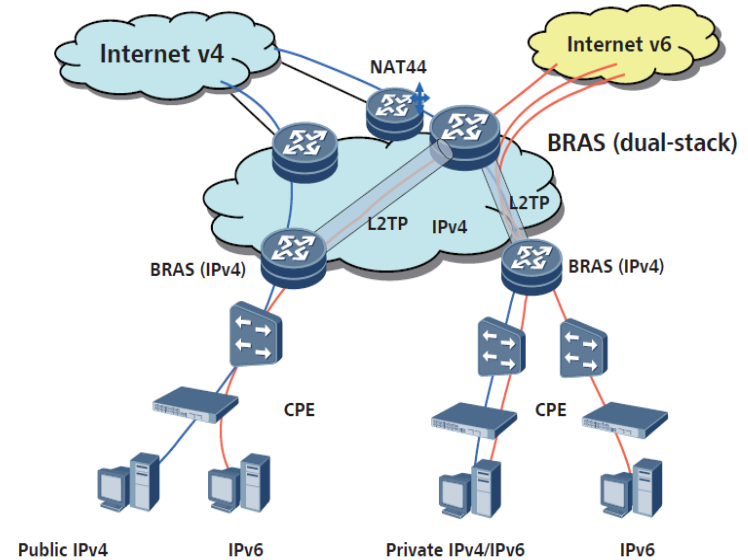
Solutions for IPv6 Migration



Basic Evolution Technique

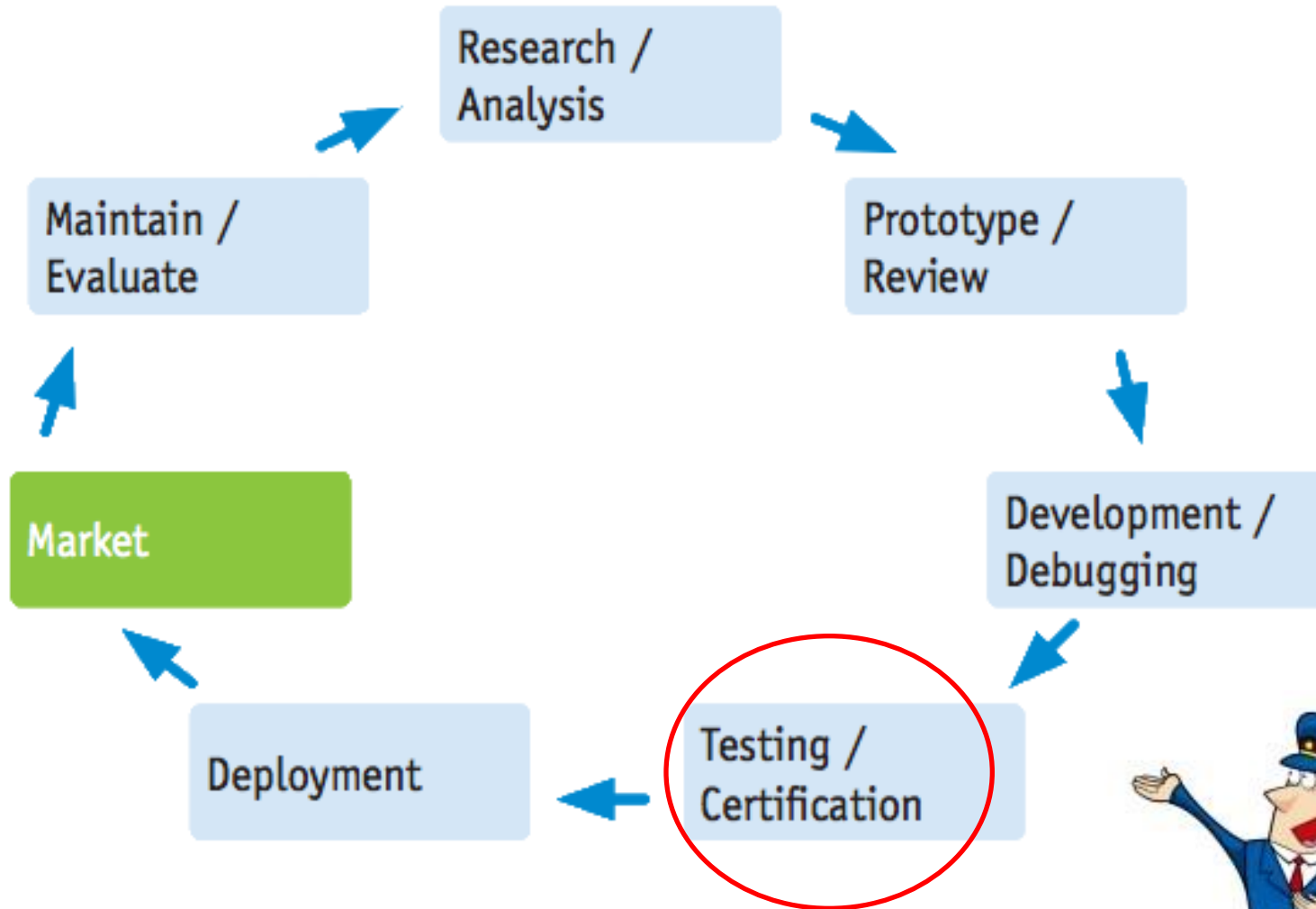


One tunnel per IP user



L2TP Tunnel shared by multiple users

Product Development Cycle



IPv6 Ready Logo Program



IPv6 protocol test + interoperability test

- Conformance and interoperability testing program intended to increase user confidence by demonstrating that IPv6 is available now and is ready to be used.
- The IPv6 Ready Logo will indicate that a product has successfully satisfied strong requirements stated by the IPv6 Logo Committee (v6LC).
- RFC 2460 Internet Protocol, Version 6 (IPv6) Specification
- RFC 4291 IP Version 6 Addressing Architecture
- RFC 4861 Neighbor Discovery for IP version 6
- RFC 4862 IPv6 Stateless Address Autoconfiguration
- RFC 4443 ICMPv6 for the Internet Protocol Version 6
- RFC 1981 Path MTU Discovery for IP version 6

Extended Test Categories

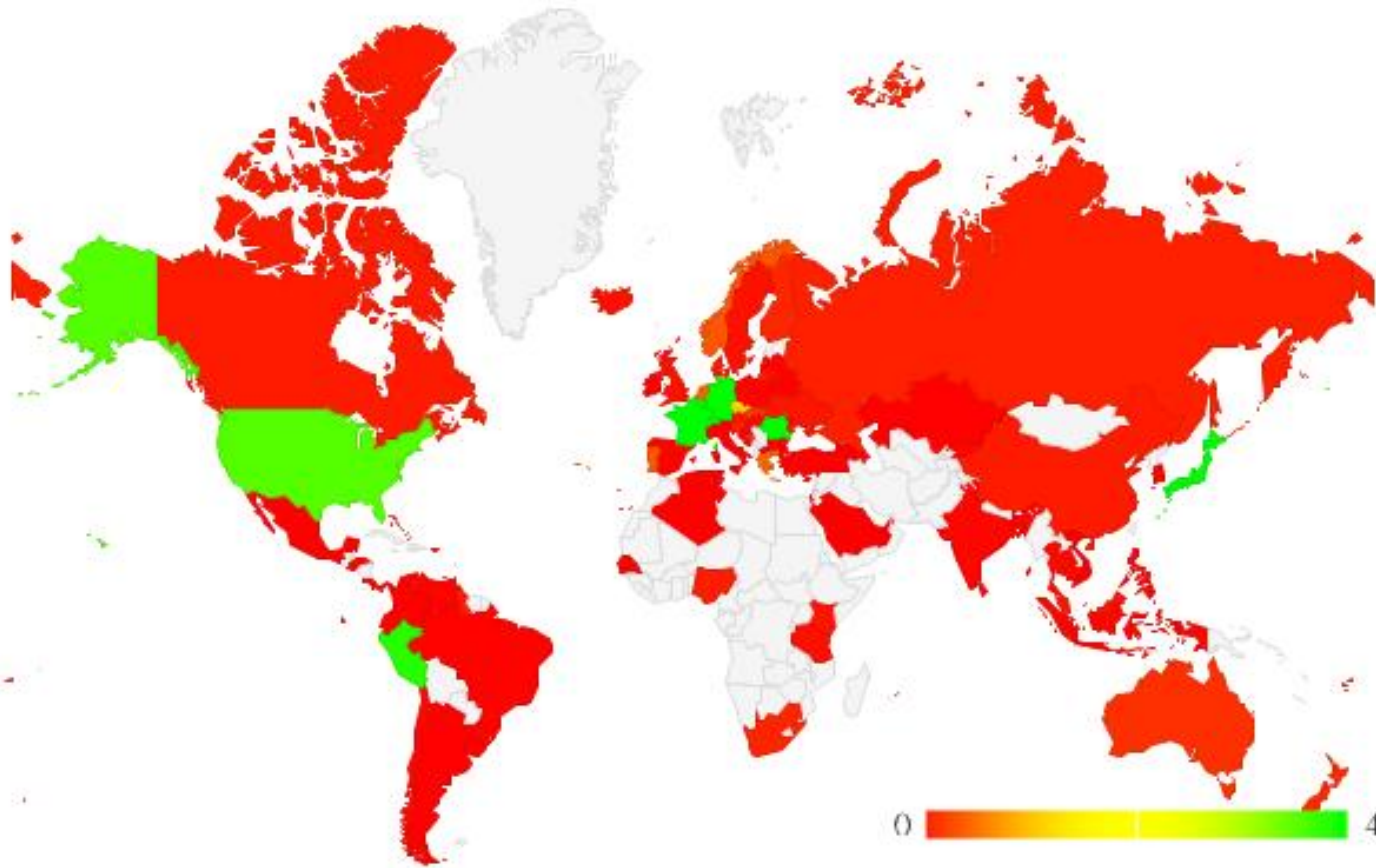


- IPv6 Ready Logo Test is the prerequisite before obtaining the extended test categories (IPsec, DHCPv6, SNMP and CE Router).
- The extended test categories are intended for the further verification of the compliance to the specific applications.

IPv6 Deployment Worldwide



Hong Kong 香港科技園
Science & Technology Parks
Making things happen



(Source: APNIC Labs)

Collaboration setup between HKSTPC and BII Group

- BII, ***Beijing Internet Information Technology***, is one of the six IPv6 Forum approved labs to offer the Ready Logo conformance and interoperability testing.
- The collaboration is intended to ease companies in HK to have a more convenient contact to start off their IPv6 logo testing program.
- Both HKSTPC and BII will work closely to promote and to support the IPv6 technology by assisting companies to meeting the needs to comply with the IPv6 standard through the IPv6 Ready Logo Program.



Hong Kong 香港科技園
Science & Technology Parks

Making things happen

Thank-you